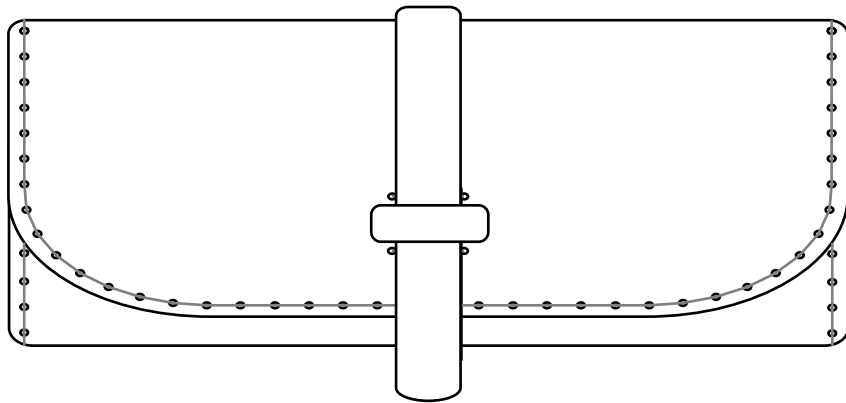


GLASSES CASE

INSTRUCTIONS



BUCKLEGUY

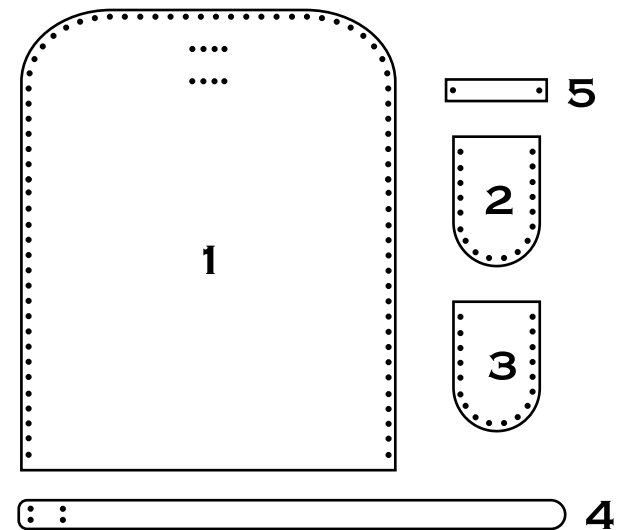
LEATHERCRAFT SUPPLY

STITCHING AND BURNISHING SUPPLIES

- + NEEDLES
- + THREAD(S)
 - A. LEFT AND RIGHT SIDES (X2) 40"
 - B. LOOP AND STRAP (X3) 13"
- + CANVAS
- + SANDPAPER
- + BEESWAX

LEATHER PIECES

1. OUTER PANEL
2. LEFT GUSSET
3. RIGHT GUSSET
4. STRAP
5. LOOP





YOU SHOULD KNOW

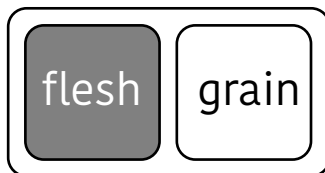


PAPER BINDER CLIPS ARE PERFECT FOR HOLDING LAYERS OF LEATHER TOGETHER WHILE YOU STITCH. THEY SERVE THE PURPOSE OF SEWING PINS.

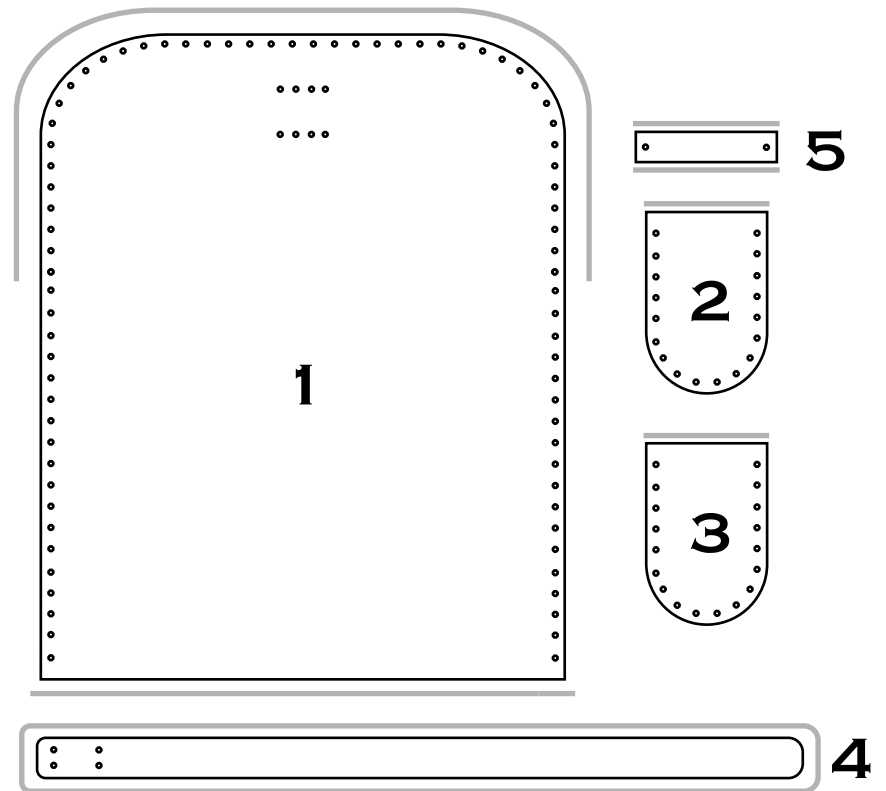
ALL STITCHING START POINTS ARE MARKED WITH A STAR.



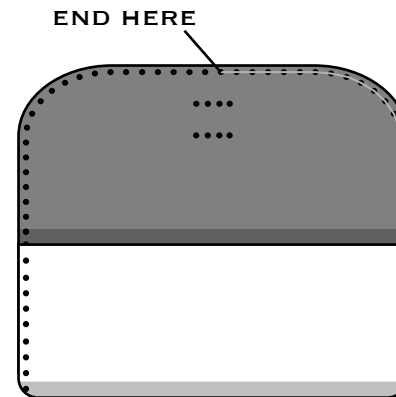
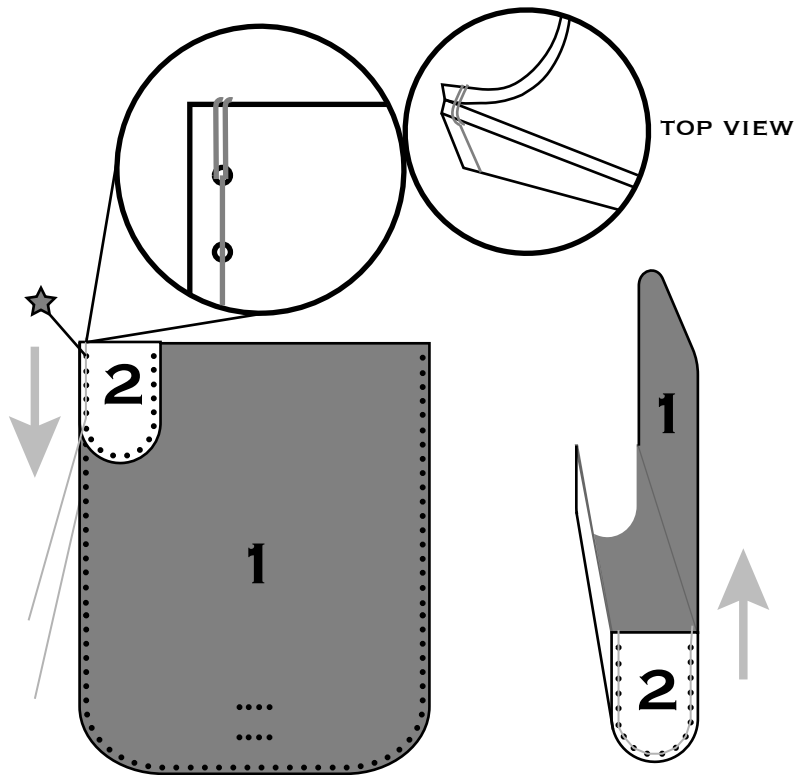
FLESH VS. GRAIN COLORATION



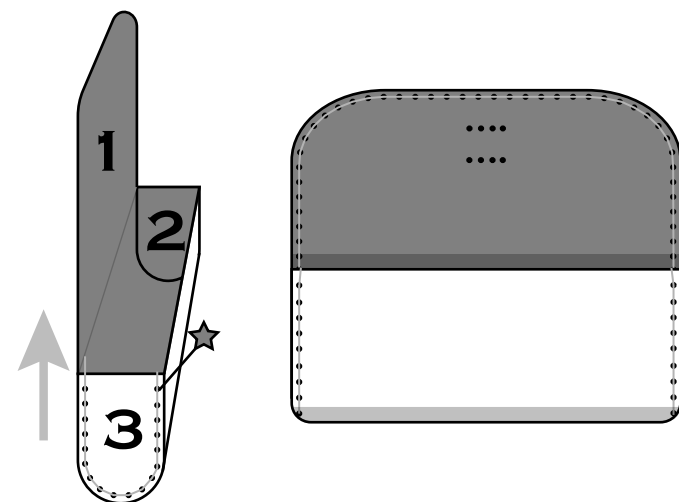
STEP 1: (Optional) Burnish everywhere marked by the grey lines below:



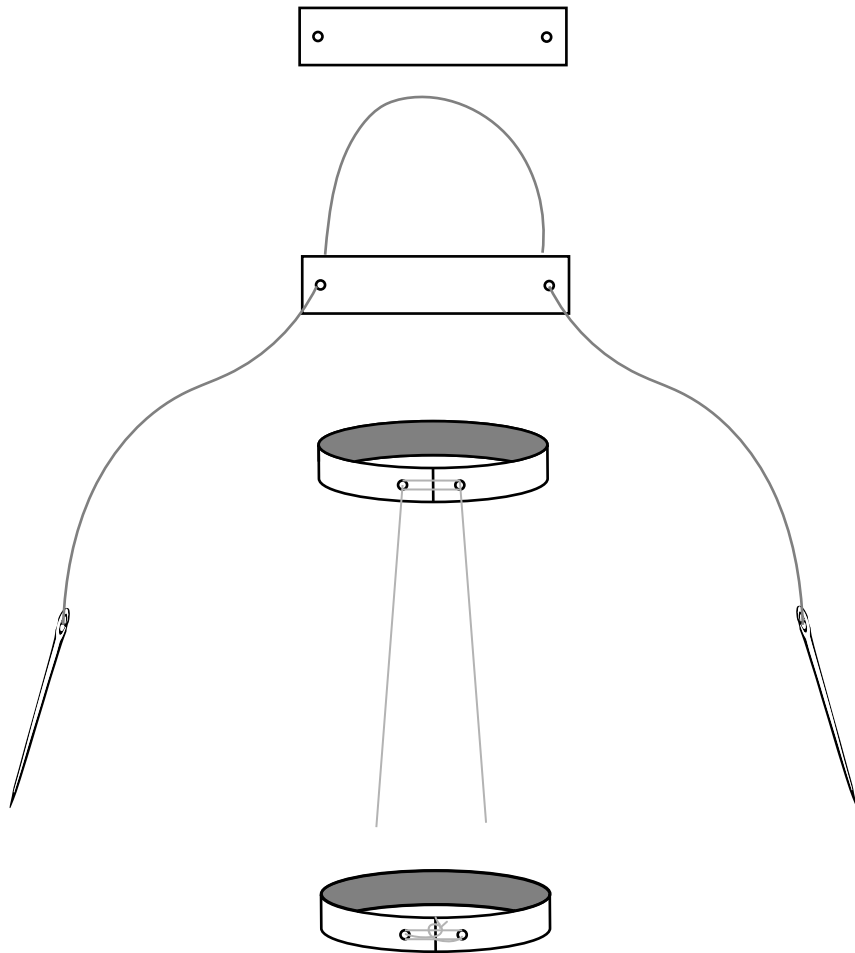
STEP 2: Saddle stitch the left gusset (2) onto the left side of the outer panel (1). Lay the flat edge of the left gusset (2) onto the flat edge of the left side of the outer panel (1) flesh side to flesh side. Prepare your needles. Starting in the first hole of the left gusset (2), send the needles over the top of the outer panel (1). Then continue down the left gusset (2) saddle stitching the left gusset (2) all the way around, attaching it to the outer panel (1). The outer panel (1) will start to fold up. Make sure you keep your stitches very tight. When you get to the last hole on the left gusset (2), continue to saddle stitch around the outer panel (1). When you reach the four holes at the center of the outer panel (1), back stitch, and pull both needles through to the flesh side of the outer panel (1). Snip and carefully burn threads.



STEP 3: Saddle stitch the right gusset (3) onto the outer panel (1). Repeat the steps from step 1 for attaching the right gusset (3) onto the right side of the outer panel (1). Saddle stitch all the way around until you reach the previously completed stitches from step 1. Back stitch and pull both needles through to the flesh side of the outer panel (1). Snip and carefully burn threads.



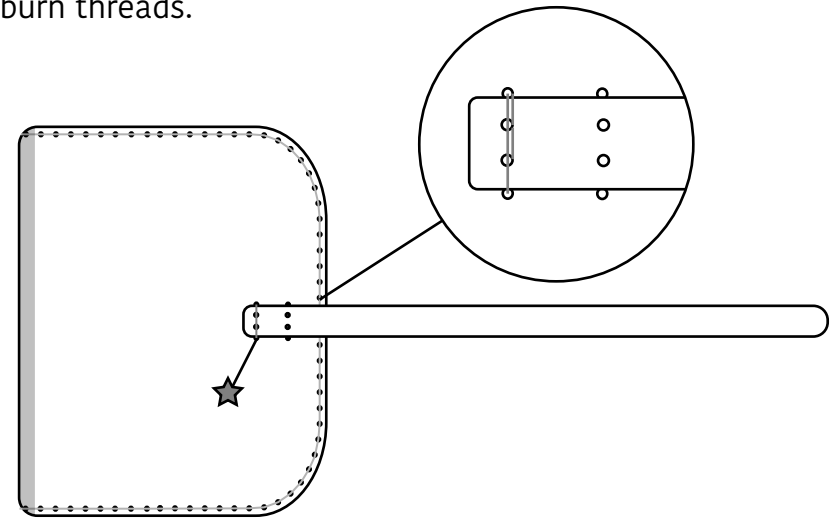
STEP 4: Saddle stitch the loop (5) closed. Prepare your needles. Send one needle through the left side punch of the loop (5), and the other needle through the right side punch of the loop (5). Do two saddle stitches to close off the loop (5). Pull both needles towards the inside of the completed loop (5). Tie a tight knot with the two thread ends. Pull out your needles, snip and carefully burn threads. Note- you must pull these stitches tight together in order for the loop (5) to be tight enough for the strap to stay fastened.



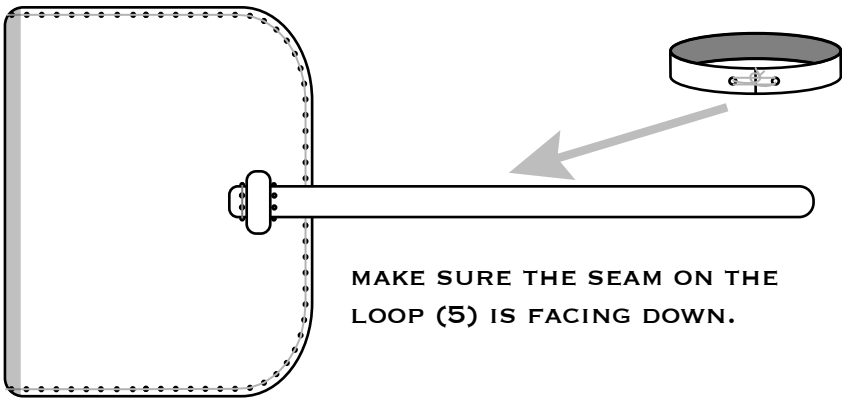
BUCKLEGUY

LEATHERCRAFT SUPPLY

STEP 5: Saddle stitch the top stitches of the strap (4) onto the outer panel (1) flesh side to grain side. Prepare your needles. Align the strap (4) over the highest sitting holes of the outer panel (1) so there is a stitching hole on either side of the strap (4). Thread your needle through the furthest left hole on the outer panel (1). Begin to saddle stitch, attaching the strap (4) onto the outer panel (1) on your second stitch. Continue the final/ third saddle stitch, reaching the last right hole on the outer panel (1). Back stitch and pull both needles towards the flesh side of the outer panel (1). Snip and carefully burn threads.

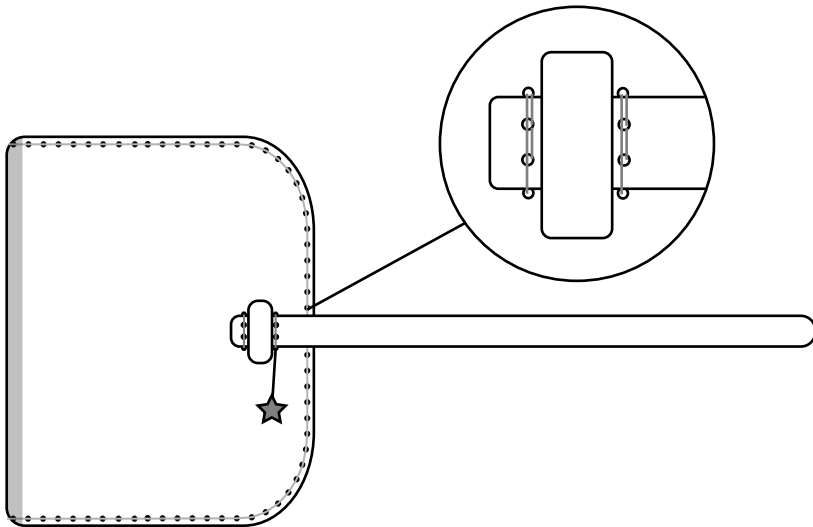


STEP 6: Slide the completed loop (5) onto the strap (4). Slide the loop (5) onto the strap making sure the stitches on the loop (5) are hidden. Make sure the loop (5) is pressed up against the stitches from step 4.

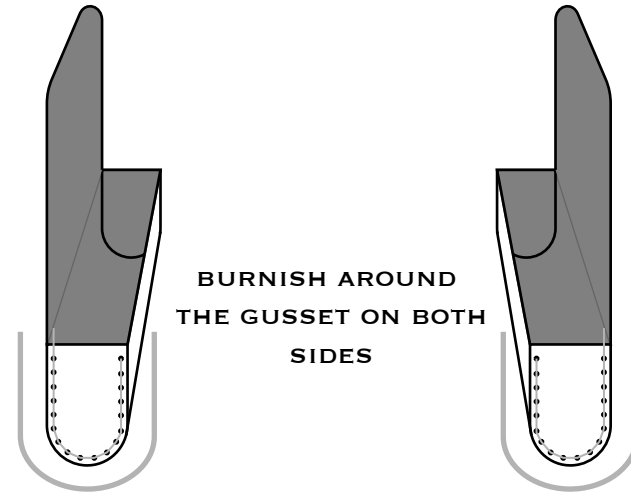


MAKE SURE THE SEAM ON THE LOOP (5) IS FACING DOWN.

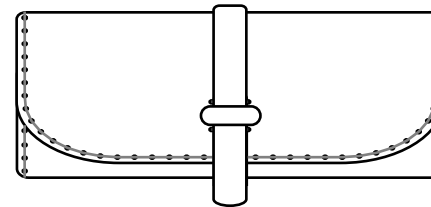
STEP 7: Saddle stitch the bottom holes of the strap (4) onto the outer panel (1). Prepare your needles. Align the strap (4) over the lower sitting holes of the outer panel (1) so there is a stitching hole on either side of the strap (4). Thread your needle through the furthest left hole on the outer panel (1). Begin to saddle stitch, attaching the strap (4) onto the outer panel (1) on your second stitch. Continue the final/ third saddle stitch, reaching the last right hole on the outer panel (1). Back stitch and pull both needles towards the flesh side of the outer panel (1). Snip and carefully burn threads.



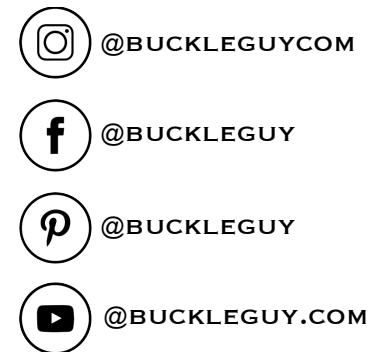
STEP 8: (Optional) Sand then burnish along all stitched seams marked by the grey lines below:



BURNISH AROUND THE GUSSET ON BOTH SIDES



ALL DONE! ENJOY YOUR NEW GLASSES CASE!



THANKS FROM ALL OF US AT BUCKLEGUY!

SHARE YOUR PROJECTS WITH US ON SOCIAL MEDIA

BY USING THE HASHTAG #BGKITS