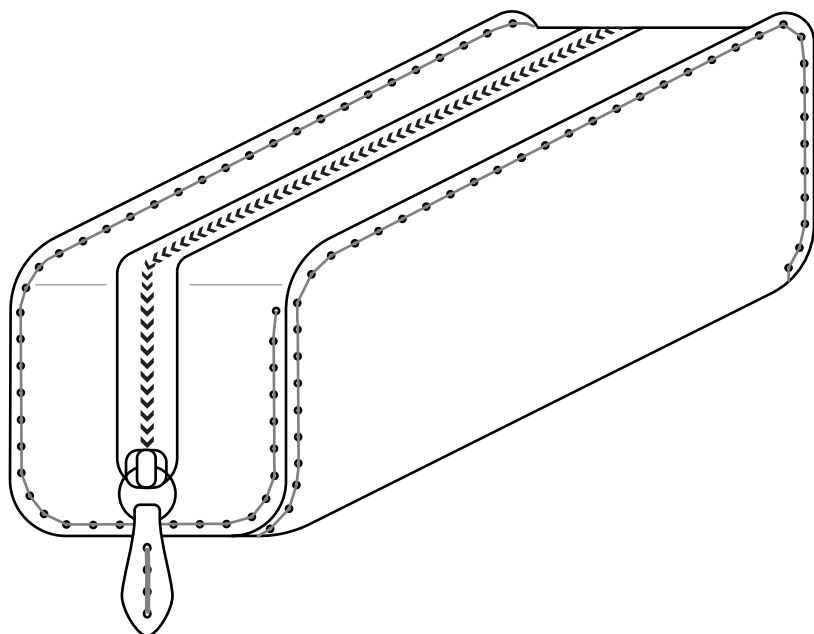


PENCIL CASE INSTRUCTIONS



BUCKLEGUY

LEATHERCRAFT SUPPLY

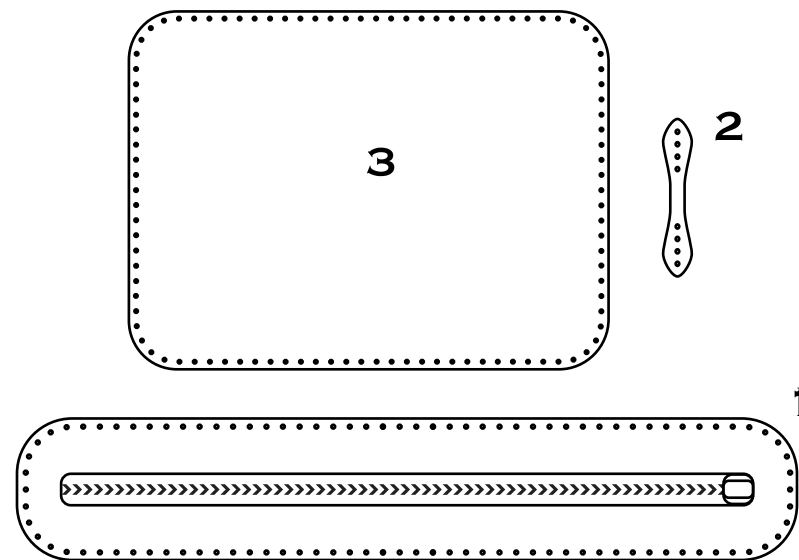
STITCHING AND BURNISHING

SUPPLIES

- + NEEDLES
- + THREAD(S):
 - A. ZIPPER PULL 13"
 - B. OUTER PANEL 100"
- + CANVAS
- + SANDPAPER
- + BEESWAX

LEATHER

1. ZIPPER PANEL
2. ZIPPER PULL
3. OUTER PANEL





YOU SHOULD KNOW

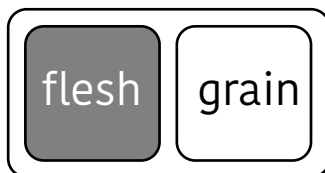


PAPER BINDER CLIPS ARE PERFECT FOR HOLDING LAYERS OF LEATHER TOGETHER WHILE YOU STITCH. THEY SERVE THE PURPOSE OF SEWING PINS.

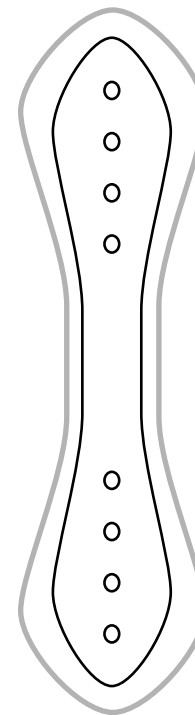
ALL STITCHING START POINTS ARE MARKED WITH A STAR.



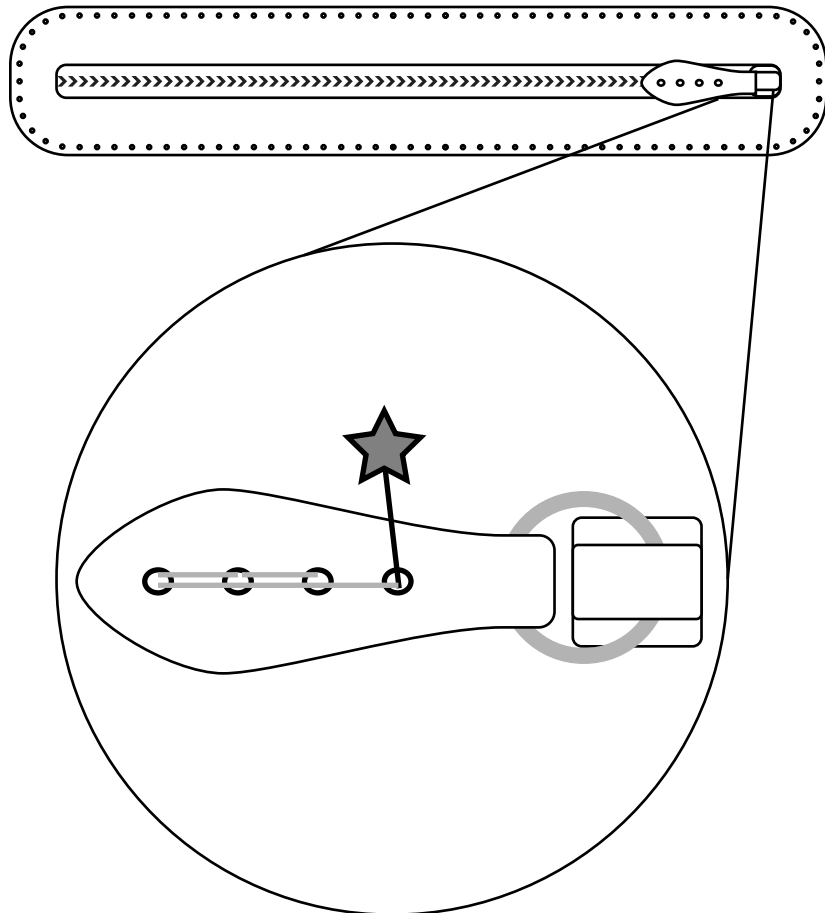
FLESH VS. GRAIN COLORATION



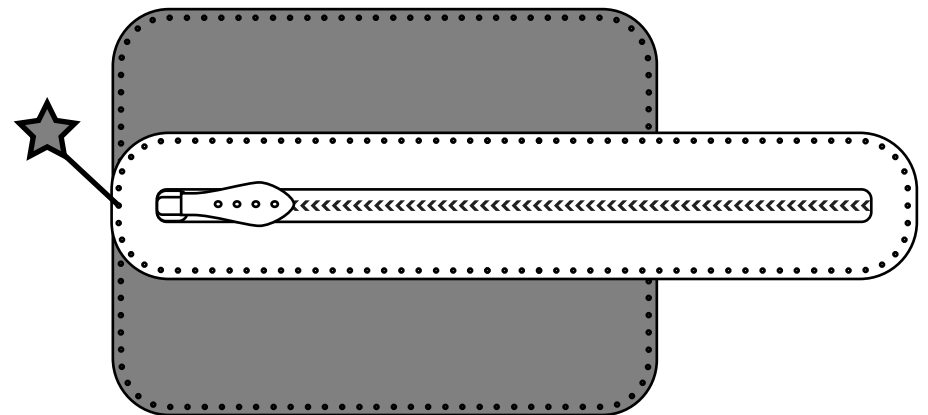
STEP 1: (Optional) Burnish the outer perimeter of the zipper pull (2) marked by the grey line below.



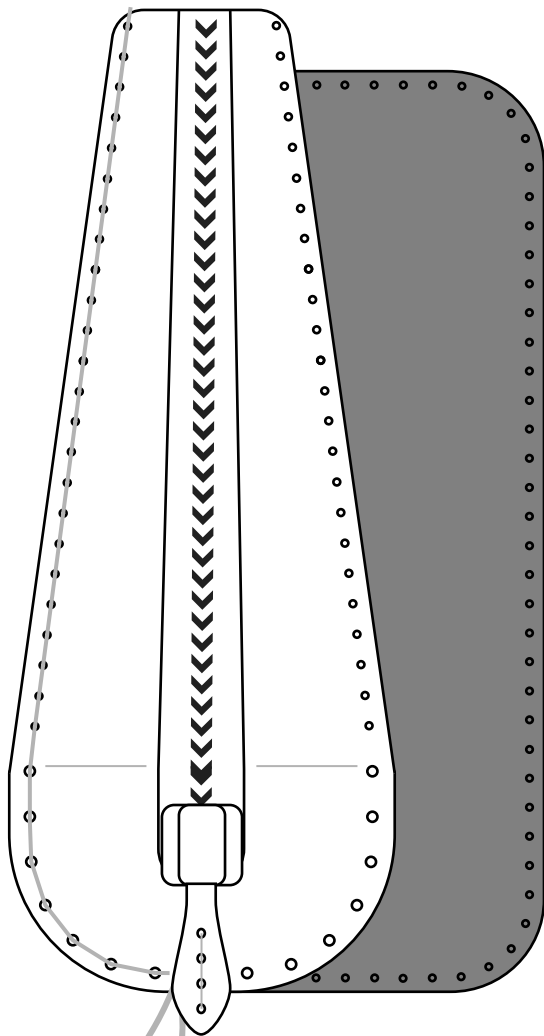
STEP 2: Saddle stitch the zipper pull (2). Prepare your needles. Pull zipper pull (2) through zipper o-ring. Fold the zipper pull (2) so that the o-ring is sandwiched between the two layers. Begin by sending your needle through the hole closest to the o-ring, and saddle stitch down the zipper pull (2). After completing the last stitch, backstitch twice, snip, and carefully burn threads.



STEP 3: Saddle stitch the zipper panel (1) onto the outer panel (3) flesh side to flesh side. Prepare your needles. Lay the short edge of the zipper panel (1) over the short edge of the outer panel (3) flesh side to flesh side. You will need to make sure you are starting your needle in the center hole of each panel. Send your prepared thread through the center hole of both panels and begin to saddle stitch. As you continue along, the outer panel (3) will begin to fold up to meet the zipper panel (1). Make sure your stitches stay tight throughout this entire stitch around the perimeter. You are going to keep saddle stitching all the way around the entire zipper panel (1) and outer panel (3) until you reach the same holes where you started. Continue two more saddle stitches past your first stitch. This will act as your back stitch. Snip and carefully burn threads.



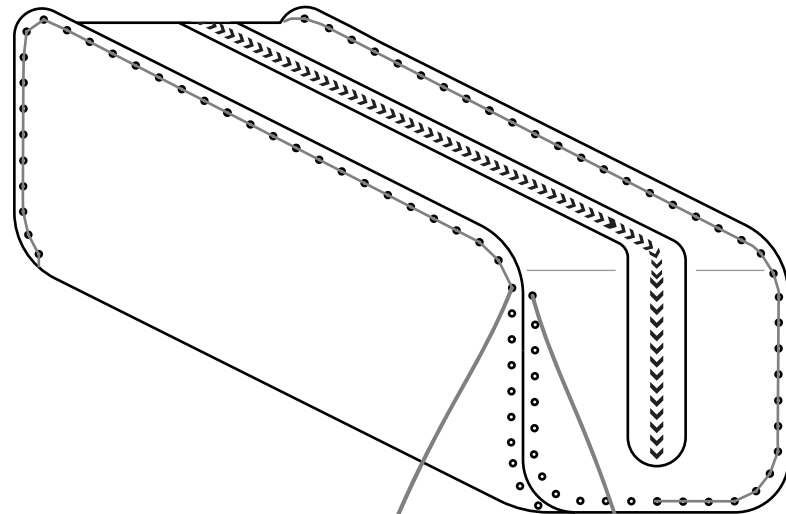
STEP 3 CONTINUED:



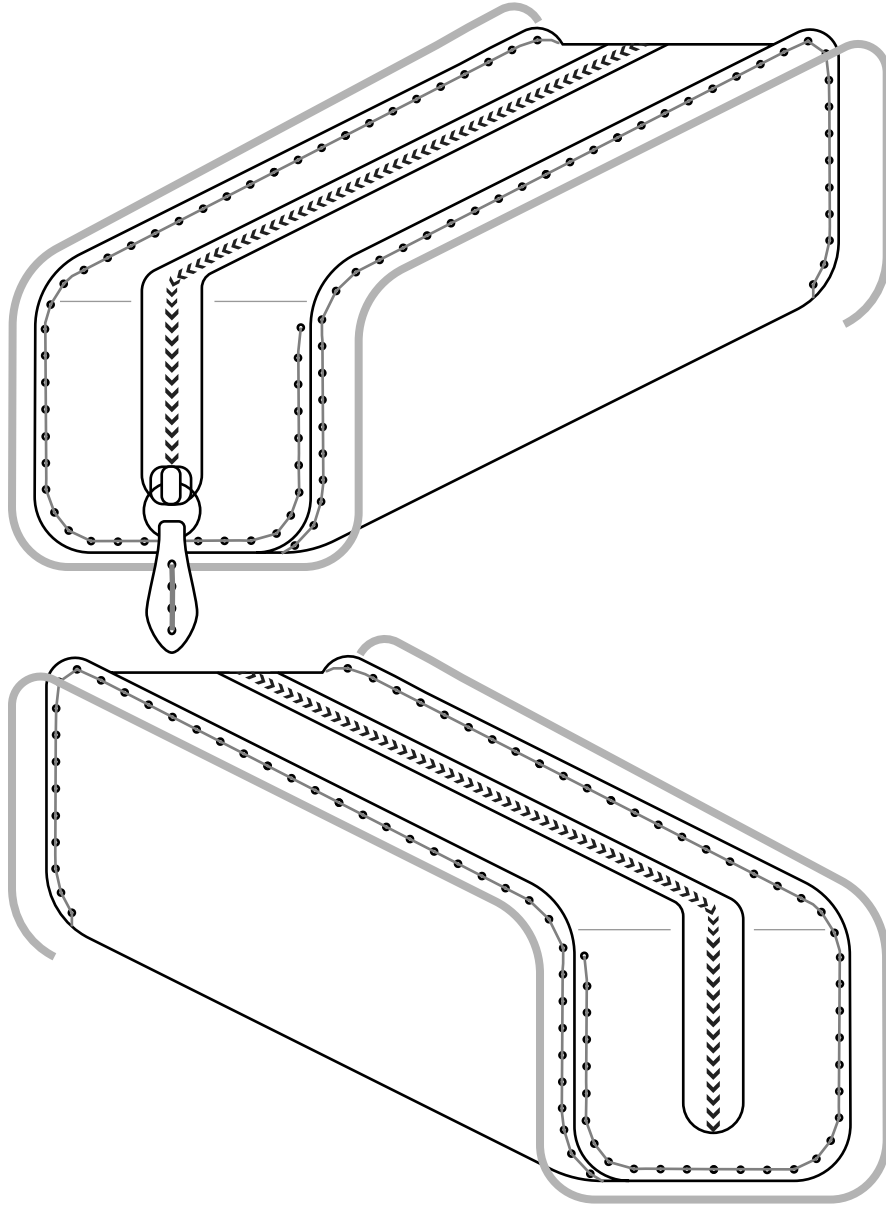
STEP 3 CONTINUED:

BUCKLEGUY

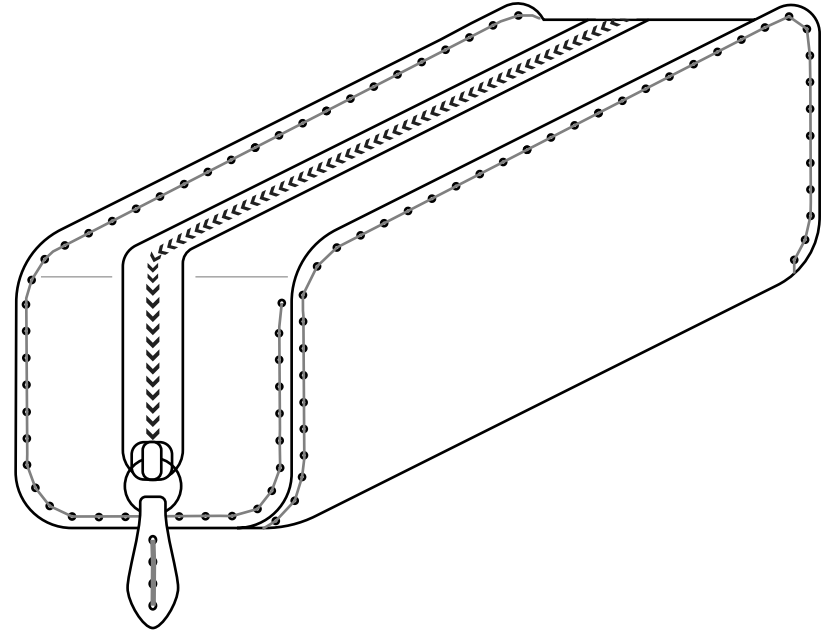
LEATHERCRAFT SUPPLY



STEP 4: (Optional) Sand then burnish all exposed edges. as shown by the grey lines below.



STEP 5: Fill your finished pencil case with pens and pencils!!



BUCKLEGUY

LEATHERCRAFT SUPPLY

THANKS FROM ALL OF US AT BUCKLEGUY!

SHARE YOUR PROJECTS WITH US ON
SOCIAL MEDIA

BY USING THE HASHTAG #BGKITS

